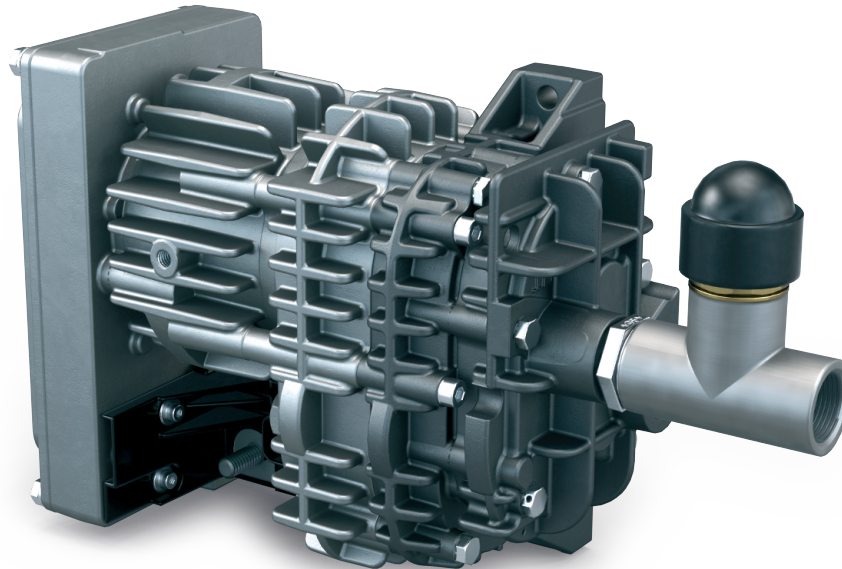


MINK MB 0018 A

Dry claw vacuum pump



VACUUM SOLUTIONS



Robust

Specially designed for mobile applications, may be operated under extreme conditions, in temperature ranges between -40 °C and +40 °C and at elevations between -1,000 m and 4,000 m, resistant to severe vibration

Efficient

Latest claw vacuum technology, dry and contact-free compression, no contamination of pumped medium, intelligent variable speed drive, low energy consumption, long life cycle without servicing

Compact

Small footprint due to "all-in-one" design

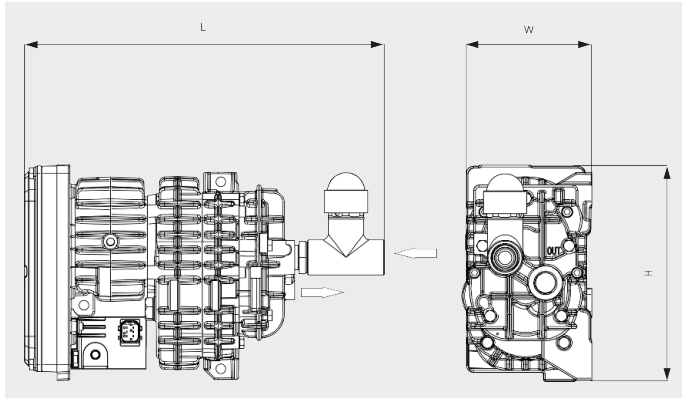
MINK MB 0018 A

Dry claw vacuum pump



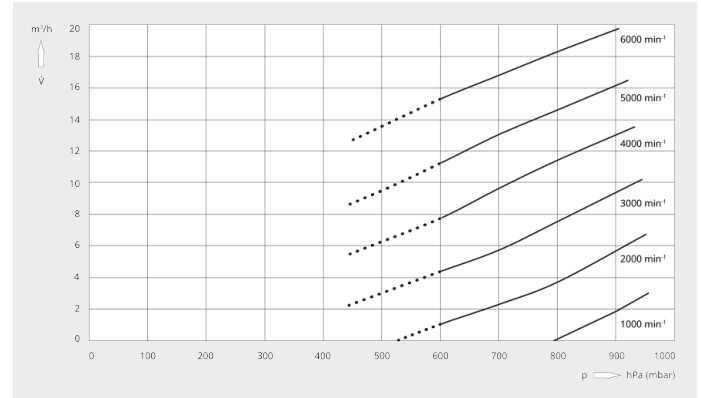
VACUUM SOLUTIONS

Dimensional drawing



Pumping speed

Air at 20°C. Tolerance: ± 10%



MINK MB 0018 A	
Nominal pumping speed	10.6 ACFM
Ultimate pressure	450 TORR
Nominal motor rating	0.7 HP
Nominal motor speed	6000 RPM
Ambient temperature	-104 ... +104 °F
Noise level (ISO 2151)	73 dB(A)
Weight approx.	14.3 Lbs.
Dimensions (L x W x H)	13 x 4.7 x 7.8 inches
Gas inlet / outlet	G ¾" / G ½"

DO YOU WANT TO KNOW MORE?

Get in touch with us directly!
info@buschusa.com or +1 757 463 7800



CONTACT FORM



CALL NOW